

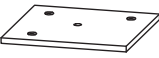


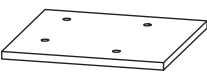
MANUAL

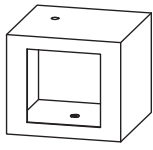
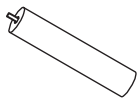
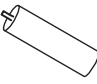
SCRATCHING POST




ANGÈLE

SIZE: **45x45x91**cm

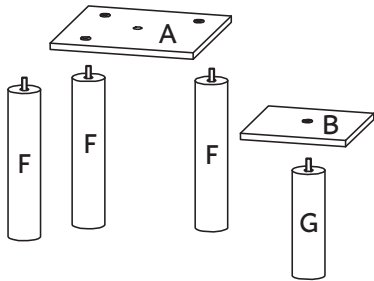


- 1X  35*35*1.5cm A
- 1X  25*25*1.5cm B
- 1X  25*25*1.5cm C
- 1X  45*45*2cm D

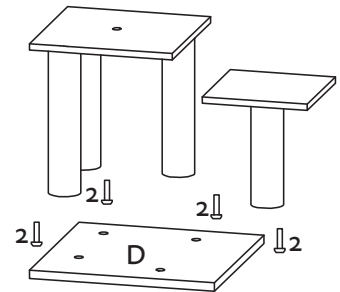
- 1X  30*30*26cm E
- 3X  D7.5*35cm F
- 2X  D7.5*25cm G

- 2X  D30mm (1)
- 5X  D8*50mm (2)
- 1X  D8*25mm (3)

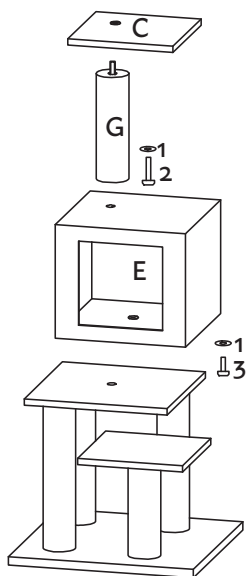
1



2



3



4

