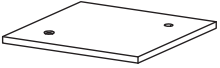
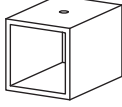

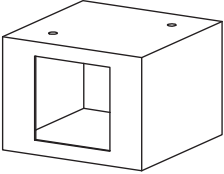
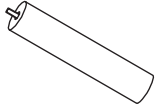


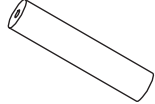




MANUAL

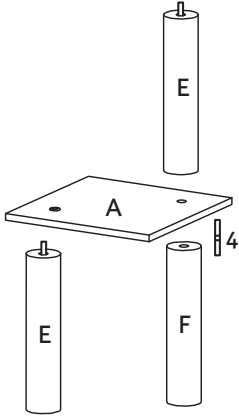
SCRATCHING POST AMAURY

SIZE: **38x38x101**cm

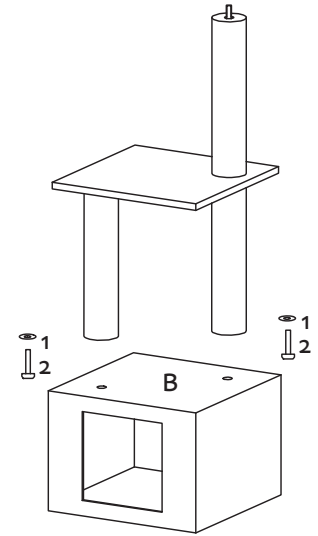


- | | | | | | | | | | | | |
|----|---|-------------|---|----|---|------------|---|----|---|---------|-----|
| 1X |  | 37*37*1.5cm | A | 1X |  | 18*25*18cm | D | 3X |  | D30mm | (1) |
| 1X |  | 38*38*28cm | B | 2X |  | D7.5*35cm | E | 2X |  | D8*50mm | (2) |
| 1X |  | 30*30*1.5cm | C | 1X |  | D7.5*35cm | F | 1X |  | D8*25mm | (3) |
| | | | | | | | | 1X |  | D8*70mm | (4) |

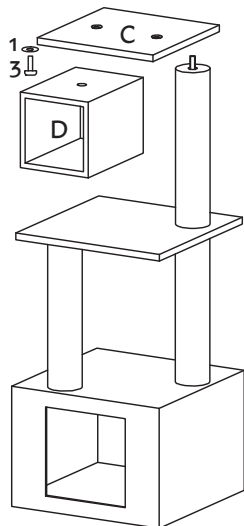
1



2



3



4

