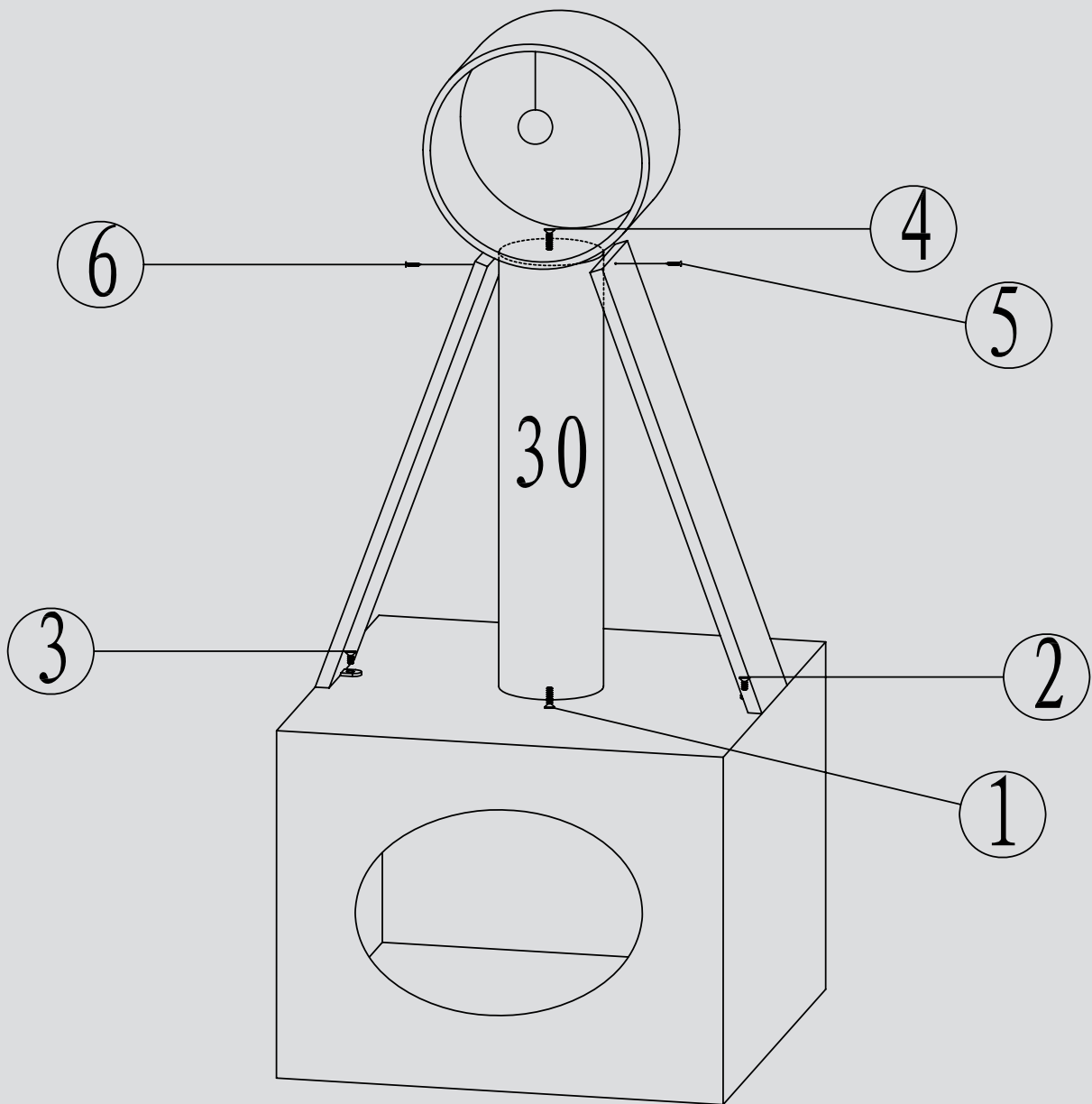


Assemble in numerical order as shown on the instruction leaflet.



**Art. No. 34564**